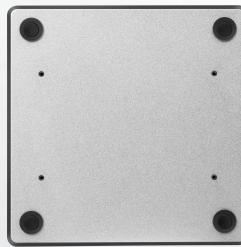
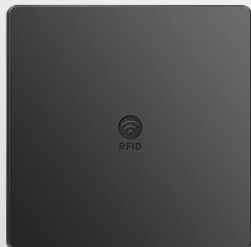


D-301

UHF RFID Desktop Reader



Simple Ultra-Thin High performance

1. Advantages

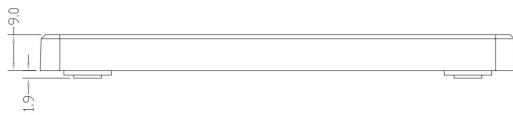
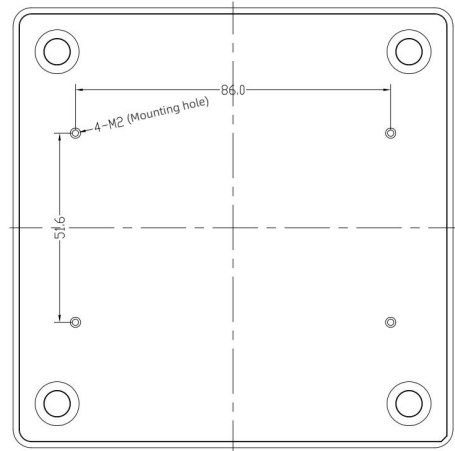
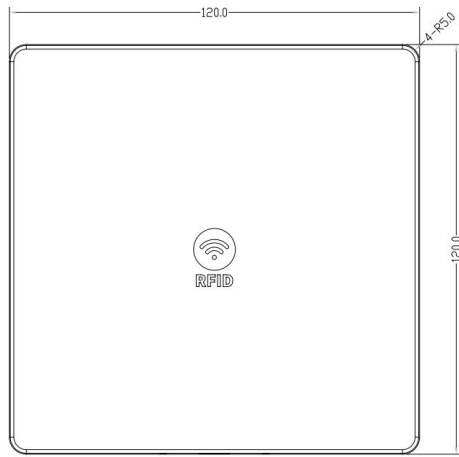
- High sensitivity: -85 dBm.
- Read distance: 0~450CM (Test with Impinj E41b inlay).
- Support upgrading firmware online.
- Support serial mode and keyboard simulation mode.
- USB 2.0 TYPE C supported.
- The back is made of metal, which significantly improves the structural strength and heat dissipation performance.

2. Electrical parameters

Electrical parameters	
Input Voltage	DC 5 V
Standby Mode Current	< 80mA
Operating Current	550mA @ 5V (26 dBm Output , 25°C) 350mA @ 5V (18 dBm Output , 25°C)
Operating Temperature	- 20 °C ~ + 70 °C
Storage Temperature	- 20 °C ~ + 85 °C
Operating Humidity	< 95% (+ 25 °C)
Protocol	EPC global UHF Class 1 Gen 2 / ISO 18000-6C
Spectrum Range	902Mhz ~ 928Mhz, 865MHz ~ 868MHz Optional ✓
Supported Regions	US, Canada and other regions following U.S. FCC Europe and other regions following ETSI EN 302 208 Mainland China, Korea, Malaysia
RF Output Power	0-26 dBm
Output Power Precision	+/- 1dB
Output Power Flatness	+/- 0.2dB
Sensitivity	< -85 dBm
Peak Inventory Speed	> 190 pcs/s
Tag RSSI	Supported
Antenna	2dBi ceramic antenna
Host Communication	USB 2.0 TYPE C
Heat Dissipation	Air cooling

3. Dimensions (Unit: mm)

Any discrepancy, please refer to the real product instead.



D-301 Dimensions

D-301 Mounting hole specification