

# Lynx 30

## Handheld Data Terminal



Simplicity wins



# 1. Advantages



## High Configuration Computing Platform

Octa-core 64-bit Cortex-A55 processor ( up to 2.0 GHz), plus a 200M RISC-V Co-processor and an independent 2.0 TOPs NPU make all kinds of massive data processing smoothly.



## Android 14.0

Android 14.0 OS, keeps optimizing and upgrading.



## Top Class Materials

CNC aluminum, PC+ABS (SABIC) material create strong body rigidity and excellent waterproof.



## Industrial-grade Components

Industrial-grade and military-grade components ensure stable operation in harsh environments.



## Magnetic Hotswapping Battery System

Magnetic hotswapping battery system makes it more convenient to install backup battery. 4000mAh battery provides ultra long operating time.



## Outstanding Industrial Design

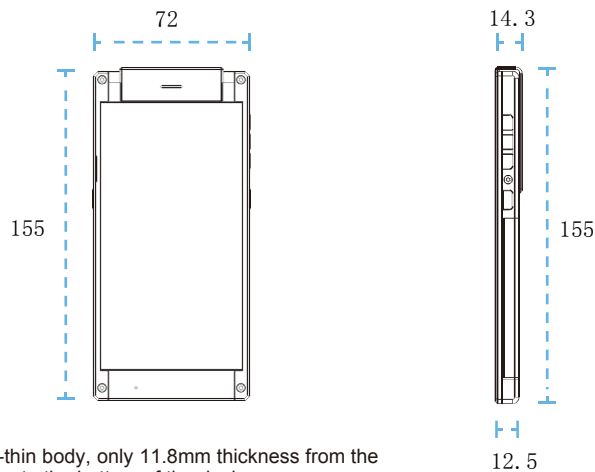
The idea was inspired by lynx, and each single detail has been well refined. The appearance is compact, elegant and balanced, which makes the product eye-catching and impressive.



## Excellent Mechanical Protection

Safety drop height 1.2m.IP64 protection grade.

# 2. Dimensions(mm)



### 3. Electrical Parameters

#### Mechanical Parameters

<b>Materials</b>	CNC aluminum, PC + ABS (SABIC)
<b>Dimensions</b>	155(L)*72(W)* Head: 14.3(H)mm End: 12.5(H)mm
<b>Weight</b>	260g (battery included/standard version)

#### System Characteristics

<b>Operating System</b>	Android 14.0
<b>CPU</b>	Octa-core 64-bit Cortex-A55 /up to 2.0 GHz + a 200M RISC-V Co-processor
<b>NPU</b>	Independent AI computing engine, up to 2.0 TOPs
<b>GPU</b>	G57 MC1
<b>RAM +ROM</b>	4G+32G
<b>LCD</b>	5.0 inches/ 1280*720 / IPS / 180°view angle
<b>Hotswapping Battery</b>	Magnetic style hotswapping battery system
<b>Buttons</b>	
Power / Volume	3 ALPS buttons/ Operating force 2.5N/ Operating life 1 million cycles
Scan Trigger*2	2 ALPS buttons/ Operating force 1.6N/ Operating life 5 million cycles
<b>Power</b>	4,000mAh chargeable li-polymer battery
<b>Card Slots</b>	Micro SIM card slot
<b>USB Interface</b>	USB3.0 Type C (support OTG)
<b>Speaker</b>	Supported
<b>Microphone</b>	HiFi Microphone
<b>Vibration</b>	Supported

#### Wireless Communications

<b>WIFI</b>	2.4G/5G Dual-Band
<b>Bluetooth</b>	Bluetooth 5.0
<b>4G</b>	Supported

#### Application Environment

<b>Operating Temp</b>	-20° - +60°
<b>Storage Temp</b>	-30° - +70°
<b>Working Humidity</b>	5%RH - 95%RH (non -condensing)
<b>Protection Grade</b>	IP64
<b>Safety Drop Height</b>	1.2 m / 6.56ft

#### Data Collections

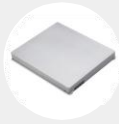
<b>1D/2D Barcode</b>	
2D	Data matrix/QR Code/PDF417 US Planet/ UK Postal, etc
1D	UPC/EA Symbol SE955N/ Code128/Code39/Code93/ Code11 Interleave d 2 of 5/ Discrete 2 of 5/Chinese 2 of 5/ Codabar/MSI/ RSS. etc.

<b>UHF RFID</b>	
Sensitivity	-85dBm
Protocol	EPC Global UHF Class 1 Gen 2 /ISO18000-6C
Frequency	902-928MHz, 865- 868MHz <span style="background-color: #007bff; color: white; padding: 2px;">Optional ✓</span>
RF Output Power	0~26dBm
Peak Inventory Speed	> 200 tags/s
UHF Antenna	1dBi circularly polarized antenna
Read Distance	>3m (tested with Impinj E41binlay)
Supported Regions	US, Canada and other regions following US FCC Europe and other regions following ETSI EN 302 208 China Korea Malaysia etc.


<b>Camera</b>	13 megapixels/ automatic focus/ flashlight
---------------	--

<b>Global positioning system</b>	GPS & GLONASS & Beidou
----------------------------------	------------------------

#### Accessories




Battery




Desktop charger

Optional ✓



Charger &  
Data Cable



Hanging Lace